

**S001
SF 811
STS 890**

ENG Instruction

REF 2100024-ENG/06.08



English

Fully Swiss-manufactured devices.

Typ

S001

pneumatic module, tabletop model.

SF 811

pneumatic module, model for fixed installation, to be mounted upright.

STS 890

pneumatic module with water reservoir.

These modules are equipped with a pedal, a pressure gauge with pressure relief device and a turbine support.

Planned use

Product intended for professional use only. These modules are designed for laboratories and for prosthetic and ceramic work.

Technical data and assembly

S001 assembly
SF811 mounting
STS 890

fig. 1
fig. 2
fig. 3

Classification

Conforms to machinery directive 89/392/EC.

Dimensions

S001: 110 x 135 x 162 mm
SF 811: 86 x 75 x 165 mm
STS 890: 200 x 190 x 100 mm

Weight

S001: 1,250 g
SF 811: 300 g
STS 890: 4,400 g

Air pressure at inlet

S001 & SF 811 & STS 890: min. 500 kPa and max. 800 kPa

Air consumption output

S001 & SF 811 & STS 890: 32 normliter/min

Air pressure output

S001 & SF 811: 250 kPa - 300 kPa

The unit is delivered with a pre-adjusted of 300 kPa.

Do not use the turbine at above the required air pressure (see instruction REF 2100038).

STS 890

1. Spray regulator

The desired water quantity is adjusted by the green control knob and the air supply by the blue control knob.

2. Refilling the water reservoir

Unscrew the cap slowly to allow pressure to be released. Refill water tank with **distilled water** only, by using the enclosed measure. Replace and close the cap. The pressure in the reservoir is then automatically re-set.

3. Foot pedal operation

The drive air is activated by pressing the foot pedal anywhere on its surface. To activate the spray, press the foot pedal on the area indicated. The angle of the spray is approx 100°.

4. Manometer-pressure regulator with filter

The reservoir of this filter must be cleaned regularly by opening the plug at the bottom of the reservoir. Drain by pressing the bottom plug.

Maintenance

Only use maintenance products and components from Bien-Air. The use of other products and components can void the guarantee.

Overhaul

Never disassemble the device. For all modifications and repairs, we recommend that you contact your regular supplier or Bien-Air direct. Bien-Air asks the user to have its dynamic instruments checked or inspected at least once a year thereafter.

Never immerse in disinfectant solutions.
Not suitable for ultrasonic bath.

Environment

Temperature between -40°C (-40°F) and 70°C (158°F), relative humidity between 10% and 100%, atmospheric pressure 50 kPa to 106 kPa (7.3 to 15.3 psi).

Information

The technical specifications, illustrations and dimensions contained in these instructions are given only as a guide. They may not be the subject of any claim. The manufacturer reserves the right to make technical improvements to its equipment, without amending these instructions. The French original of this text conforms to the legal standards. For all additional information, please contact Bien-Air at the address indicated on the back cover.

General information

The device must be used by a competent person in accordance with the current legal provisions concerning industrial safety, health and accident prevention regulations, and these working instructions. In accordance with these requirements, the operators:

- must only use operating devices that are in perfect working order; in the event of irregular functioning, excessive vibration, abnormal heating or other signs indicating malfunction of the device, the work must be stopped immediately; in this case, contact a repair centre that is approved by Bien-Air;
- must ensure that the device is used only for the purpose for which it is intended, must protect themselves, their patients and third parties from any danger, and must avoid contamination through the use of the product.

The device is not intended for medical treatment; any use other than that for which this product is intended is not allowed and may prove to be dangerous. The device meets all the current European legal requirements (in accordance with machinery directive 89/392/EC).

Recommendations

It is essential to use dry, purified compressed air in order to ensure the long working life of the device. Maintain the quality of the air and the water by regular maintenance of the compressor and the filtration systems. The use of unfiltered hard water will lead to early blockage of the tubes, connectors and spray cones.

After a period of prolonged use, the device must be cleaned and serviced according to these instructions.

Rest the device on a suitable support to avoid risks of infection for yourself, the patient or third parties.

Guarantee

Terms of guarantee

Bien-Air grants the operator a guarantee covering all functional defects, material or production faults. The device is covered by this guarantee for 12 months from the date of invoicing.

Bien-Air also offers a 24-month guarantee for the glass-bar light conductors.

In the event of justified claims, Bien-Air or its authorised representative will fulfil the company's obligations under this guarantee by repairing or replacing the product free of charge. Any other claims, of whatever nature, in particular in the form of a claim for damages and interest, are excluded.

Bien-Air shall not be held responsible for damage or injury and the consequences thereof, resulting from:

- excessive wear and tear
- improper use
- non-observance of the instructions for installation, operation and maintenance
- unusual chemical, electrical or electrolytic influences
- poor connections, whether of the air, water or electricity supply.

The guarantee does not cover flexible "fibre optic" type conductors, or any parts made of synthetic materials.

The guarantee shall become null and void if the damage and its consequences are due to improper manipulation of the product, or modifications to the product carried out by persons not authorised by Bien-Air.

Claims under the terms of the guarantee will be considered only on presentation, together with the product, of the invoice or the consignment note, on which the date of purchase, the product reference and the Serial No. should be clearly indicated.

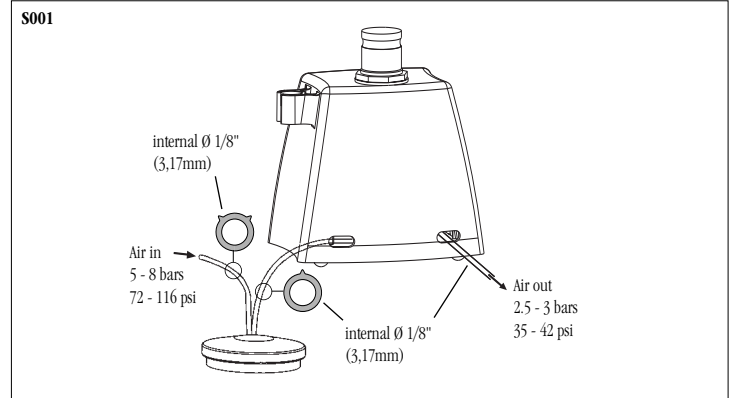


fig. 1

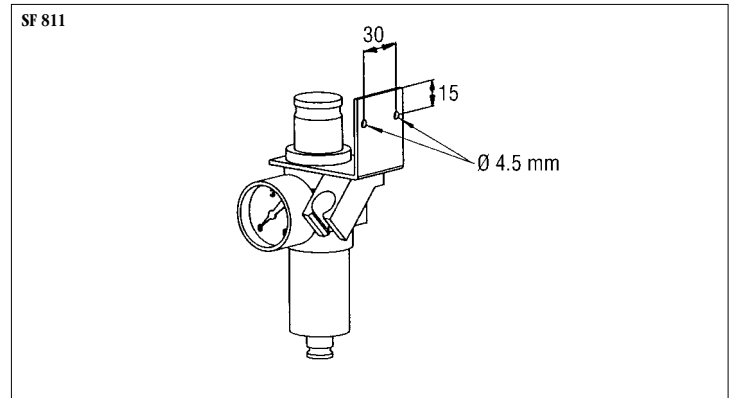


fig. 2



fig. 3

Set supplied

REF 1700126-001 Set comprising



REF 1700083-001 Set comprising



REF 1700092-001 Set comprising



Optional accessories

S001 + SF 811



REF 1600312-001



REF 1200022-001



REF 1600161-001

STS 890



REF 1600389-001



REF 1600390-001



REF 1600163-001

REF Legend

1600167-001	SF 811 module
1700080-001	Set SF 811 module with pedal
1700083-001	Set SF 811 module with pedal and TD 783
1600388-001	STS 890 module
1700092-001	Set STS 890 module
1600318-001	S001 module
1700126-001	Set S001 module with pedal and TD 783
1700127-001	Set S001 module with pedal
1600161-001	TD 783 turbine for hose with internal Ø 1/8" (3.17mm), with Friction Grip chuck (FG)
1600163-001	TDS 890 turbine with spray, 4-hole connection, Friction Grip (FG)
1600312-001	Pedal for S001 and SF 811 module
1600389-001	Pedal for STS 890 module
1200022-001	Grey coiled hose for S001 and SF 811 module
1600390-001	Hose straight with 4-hole-coupling for STS 890 module

List of Bien-Air registered trade mark products ®:

Aquilon®	Eolia®	Isolite®	MX®
Bora®	Gyro®	Lubrifiuid®	Prestilina®
Boralina®	Gyrolina®	Lubrimed®	Spraynet®

In these instructions, "Device" corresponds to the product described in the heading "Type". For example, turbine, contra-angle, handpiece, micromotor, tube, electronics, connectors, station etc.

Symbols

CE Marking with number of the notified body

This product may be covered by one or more of the following patents:
EP Europe: 0 497 139 / 0 526 783 / 0 745 358 / 0 688 539 / 0 894 879 / 1 145 688 / 1 109 301 **DE Germany:** 296 16 023.7 **DK Denmark:** 96 00315 **FR France:** 2 679 804 / 2 722 972 / 2 733 680 / 2 692 621 / 2 720 263 / 2 757 763 / 2 766 697 / 2 781 318 **CH Switzerland:** 693 922 **CN China:** 129343 **JP Japan:** 2 037 611 / 1 991 770 **US United-States:** 5.059.122 / 4.773.856 / 6.033.220 / 6.337.554 / 5.453.008 / 6.319.003 / 6.495.937

REF 1600167-001 CONSOLE SF811 / REF 1600388-001 CONSOLE STS890 / REF 1600318-001 CONSOLE S001 / REF 1700083-001 SET SF811+TD783 / REF 1700092-001 SET STS 890 / REF 1700126-001 SET S001+TD783

Bien-Air Dental SA

Länggasse 60
Case postale 6008
2500 Bienne 6, Switzerland
Tel. +41 (0)32 344 64 64
Fax +41 (0)32 344 64 91
office@bienair.com

Bien-Air Deutschland GmbH

Jechtinger Strasse 11
79111 Freiburg, Deutschland
Tel. +49 (0)761 45 57 40
Fax +49 (0)761 47 47 28
ba-d@bienair.com

Bien-Air España SA

Entença, 169 Bajos
08029 Barcelona, España
Tel. +34 934 25 30 40
Fax +34 934 23 98 60
ba-e@bienair.com

Bien-Air USA, Inc.

Medical Technologies
5 Corporate Park
Suite 160
Irvine, CA 92606 USA
Phone 1-800-433-BIEN
Phone 949-477-6050
Fax 949-477-6051
ba-usa@bienair.com

Bien-Air France Sarl

131, Boulevard Péreire
75017 Paris, France
Tel. +33 (0)1 47 64 13 49
Fax +33 (0)1 40 54 91 43
ba-f@bienair.com

Bien-Air Italia s.r.l.

Via Vaina 3
20122 Milano, Italia
Tel. +39 (02) 58 32 12 51/52/54
Fax +39 (02) 58 32 12 53
ba-i@bienair.com

Bien-Air UK Limited

63, The Street Capel,
Surrey RH5 5JZ, England
Tel. +44 (0)1306 711 303
+44 (0)1306 712 505
Fax +44 (0)1306 711 444
ba-uk@bienair.com

Bien-Air Asia Ltd.

Nishi-Ikebukuro
Daiichi-Seimei Bldg. 10F
2-40-12 Ikebukuro, Toshimaku
Tokyo, 171-0014, Japan
ピエン・エア・アジア株式会社
〒171-0014
東京都豊島区池袋2-40-12
西池袋第一生命ビルディング10F
Tel. +81 (3) 5954-7661
Fax +81 (3) 5954-7660
ba-asia@bienair.com

Beijing Bien-Air

Medical Instruments
Technology Service Co. Ltd.
Room 2106,
The Exchange Beijing
Yi 118 Jianguo Road
Chaoyang District
Beijing 100022, China
北京彼岸医疗器械
技术服务有限公司
北京市朝阳区建国路
乙118号招商局中心
京汇大厦2106室
Tel. +86 10 6567 0651
Fax +86 10 6567 8047
ba-beijing@bienair.com