

S001 SF 811 STS Trimmer



Instruction

REF 2100167-ENG/03.11



English

Laboratory instrument entirely made in Switzerland by Bien-Air Dental SA.

Typ
S001

pneumatic module, tabletop model.

SF 811

pneumatic module, model for fixed installation, to be mounted upright.

STS Trimmer

pneumatic module with water reservoir, 1.4 liter. These modules are equipped with a pedal, a pressure gauge with pressure relief device and a turbine support.

Intended use

Product intended for professional use only. These modules are designed for laboratories and for prosthetic and ceramic work. Not designed for clinical applications.

Technical data and assembly

S001 assembly **fig. 1**
SF811 mounting **fig. 2**
STS Trimmer **fig. 3**

Classification

Conforms to machinery directive 98/37/EC.

Dimensions L x D x H

S001: 140 x 113 x 163 mm
SF 811: 86 x 75 x 165 mm
STS Trimmer: 288 x 156 x 195 mm

Weight

S001: 1,250 g
SF 811: 300 g
STS Trimmer: 3,200 g

Air pressure at inlet

S001 & SF 811 & STS Trimmer:
min. 500 kPa and max. 800 kPa

Air consumption output

S001 & SF 811: 35 normliter/min
STS Trimmer: 40 normliter/min

Air pressure output

S001 & SF 811: 250 kPa - 300 kPa
The unit is delivered with a pre-adjusted of 300 kPa.
STS Trimmer in accordance with indications on the unit.

Do not use the turbine at above the required air pressure (see instruction REF 2100038).

STS Trimmer

1. Filling the water tank

Slowly unscrew the tank plug to depressurise. Fill the tank with **distilled or demineralised water** using the enclosed accessories. Screw the tank plug down without tightening, and the tank is pressurised again.

2. Actuation and adjustment of the spray

Actuate the spray by switching the lever to ON. The water flow is adjusted with the green adjusting screw, and the air flow with the blue adjusting screw. Do not use an excessive quantity of water, since the period of use between filling operations depends on this.

3. Operation

Select Spray OFF/ON. Actuate the pedal, the turbine starts rotating and the spray is actuated in accordance with the selected mode.

4. Manometer-pressure regulator with filter

This device has been designed with an automatic drain outlet; to activate this function, it is recommended to depressurise the STS Trimmer once a week.

Maintenance

Only use maintenance products and components from Bien-Air Dental. The use of other products and components can void the guarantee.

Clean the unit with water and dishwashing detergent.

Never immerse in disinfectant solutions.
Not suitable for ultrasonic bath.

Overhaul

Disconnect the device and unscrew the tank plug before any dismantling operation.

For all modifications and repairs, we recommend that you contact your regular supplier or Bien-Air Dental direct. Bien-Air Dental asks the user to have its dynamic instruments checked or inspected at least once a year.

Transport and storage conditions

Temperature between -40°C (-40°F) and 70°C (158°F), relative humidity between 10% and 100%, atmospheric pressure 50 kPa to 106 kPa (7.3 to 15.3 psi).

Information

The technical specifications, illustrations and dimensions contained in these instructions are given only as a guide. They may not be the subject of any claim. The manufacturer reserves the right to make technical improvements to its equipment, without amending these instructions. For all additional information, please contact Bien-Air Dental SA at the address indicated on the back cover.

Other precautions for use

The device must be used by a qualified person in accordance with the current legal provisions concerning industrial safety, health and accident prevention measures, and these working instructions. In accordance with these requirements, the operators:

- must only use operating devices that are in perfect working order; in the event of irregular functioning, excessive vibration, abnormal heating or other signs indicating malfunction of the device, the work must be stopped immediately; in this case, contact a repair centre that is approved by Bien-Air Dental;

S001

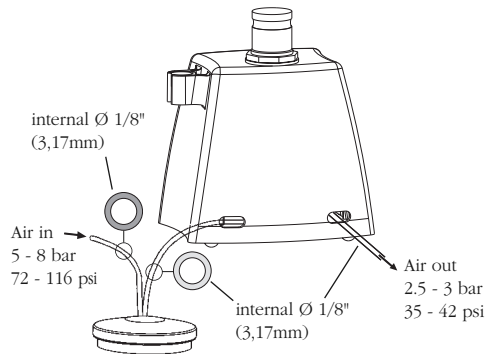


fig. 1

SF 811

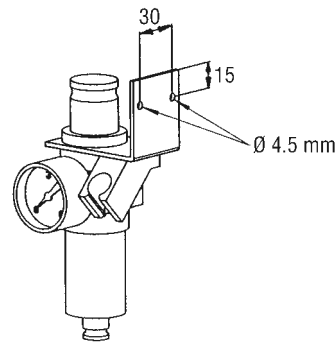


fig. 2

STS Trimmer

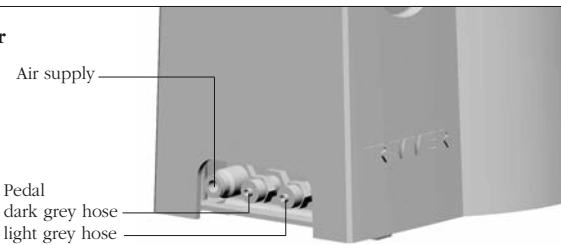


fig. 3

- must ensure that the device is used only for the purpose for which it is intended, must protect themselves, their patients and third parties from any danger, and must avoid contamination through the use of the product.

The device is not intended for clinical treatment; any use other than that for which this product is intended is not allowed and may prove to be dangerous. The device meets all the current legal requirements (in accordance with machinery directive 98/37/EC).

Recommendations

It is essential to use dry, purified compressed air in order to ensure the long working life of the device. Maintain the quality of the air and the water by regular maintenance of the compressor and the filtration systems. The use of unfiltered hard water will lead to early blockage of the tubes, connectors and spray cones.

After a period of prolonged use, the device must be cleaned and serviced according to these instructions.

Rest the device on a suitable support to avoid risks of injury.

Guarantee

Terms of guarantee

Bien-Air Dental grants the user a guarantee covering all functional defects, material or production faults. The device is covered by this guarantee for 12 months from the date of invoicing.

In the event of justified claim, Bien-Air Dental or its authorised representative will fulfil the company's obligations under this guarantee by repairing or replacing the product free of charge. Any other claims, of whatever nature, in particular in the form of a claim for damages and interest, are excluded.

Bien-Air Dental shall not be held responsible for damage or injury and the consequences thereof, resulting from:

- excessive wear and tear
- improper use
- non-observance of the instructions for installation, operation and maintenance
- unusual chemical, electrical or electrolytic influences
- poor connections, whether of the air, water or electricity supply.

The guarantee does not cover flexible "fibre optic" type conductors, or any parts made of synthetic materials.

The guarantee shall become null and void if the damage and its consequences are due to improper manipulation of the product, or modifications to the product carried out by persons not authorised by Bien-Air Dental.

Claims under the terms of the guarantee will be considered only on presentation, together with the product, of the invoice or the consignment note, on which the date of purchase, the product reference and the Serial No. should be clearly indicated.

This product may be covered by one or more of the following patents:

EP Europe: 745358 / 688539 / 948294 / 1145688 / 1563800 / 1563801 / 1675523 / 1753360

DE Germany: 29616023.7

DK Denmark: 9600315

FR France: 2722972

CH Switzerland: 693922

CN China: 100528099 / 100522100 / 100522099 / 100553584

JP Japan: 3892485 / 4298933 / 7000419

US United-States: 5453008 / 6033220 / 6319003 / 7214060 / 7448870

RU Russia: 2361540 / 2361541 / 2372046

REF 1600167-001 CONSOLE SF811 /
REF 1600643-001 CONSOLE STS TRIMMER /
REF 1600318-001 CONSOLE S001 /
REF 1700083-001 SET SF811+TD783 /
REF 1700296-001 SET STS TRIMMER /
REF 1700126-001 SET S001+TD783

Set supplied

REF 1700126-001 Set comprising



REF 1700083-001 Set comprising



REF 1700296-001 Set comprising



Optional accessories

S001 + SF 811



REF 1600312-001



REF 1200022-001



REF 1600161-001

STS Trimmer



REF 1600312-001



REF 1600390-001



REF 1600163-001

REF	Legend
1600167-001	SF 811 module
1700080-001	Set SF 811 module with pedal
1700083-001	Set SF 811 module with pedal and TD 783
1600643-001	STS Trimmer module
1700296-001	Set STS Trimmer module with pedal and TDS 890
1600318-001	S001 module
1700126-001	Set S001 module with pedal and TD 783
1700127-001	Set S001 module with pedal
1600161-001	TD 783 turbine for hose with internal Ø 1/8" (3.17mm), with Friction Grip chuck (FG)
1600163-001	TDS 890 turbine with spray, 4-hole connection, Friction Grip (FG)
1600312-001	Pedal for S001, SF 811 and STS Trimmer module
1200022-001	Grey coiled hose for S001 and SF 811 module
1600390-001	Hose straight with 4-hole-coupling for STS Trimmer module

List of Bien-Air Dental SA registered trade mark products ®:

Aquilon®	Eolia®	Lubrifiuid®	Prestilina®
Bora®	Gyro®	Lubrimed®	Spraynet®
Boralina®	Gyrolina®	MX®	
ChiroPro®	Isolite®	PowerCare®	

In these instructions, "Device" corresponds to the product described in the heading "Identification". For example, turbine, contra-angle, handpiece, micromotor, tube, electronics, connectors, station etc.

Symbols



Bien-Air Dental SA

Länggasse 60
Case postale
2500 Bienne 6, Switzerland
Tel. +41 (0)32 344 64 64
Fax +41 (0)32 344 64 91
office@bienair.com

Bien-Air Deutschland GmbH

Jechtinger Strasse 11
79111 Freiburg, Deutschland
Tel. +49 (0)761 45 57 40
Fax +49 (0)761 47 47 28
ba-d@bienair.com

Bien-Air España, SA

Entença, 169 Bajos
08029 Barcelona, España
Tel. +34 934 25 30 40
Fax +34 934 23 98 60
ba-e@bienair.com

Bien-Air USA, Inc.

Medical Technologies
5 Corporate Park
Suite 160
Irvine, CA 92606 USA
Phone 1-800-433-BIEN
Phone 949-477-6050
Fax 949-477-6051
ba-usa@bienair.com

Bien-Air France Sàrl

55-57, avenue Jean Lolive
93508 Pantin Cedex, France
Tel. +33 (0)1 41 83 60 70
Fax +33 (0)1 48 96 07 40
ba-f@bienair.com

Bien-Air Italia s.r.l.

Via Vaina 3
20122 Milano, Italia
Tel. +39 (02) 58 32 12 51/52/54
Fax +39 (02) 58 32 12 53
ba-i@bienair.com

Bien-Air UK Ltd

Arundel House
Unit 1 - Ground Floor
Amberley Court, Whitworth Road
Crawley, West Sussex,
RH11 7XL, England
Telephone +44 (0)1293 550200
Fax: +44 (0)1293 520481
ba-uk@bienair.com

Bien-Air Asia Ltd.

Nishi-Ikebukuro
Daiichi-Seimei Bldg, 10F
2-40-12 Ikebukuro, Toshimaku
Tokyo, 171-0014, Japan

ビエン・エア・アジア株式会社
〒171-0014
東京都豊島区池袋2-40-12
西池袋第一生命ビルディング10F

Tel. +81 (3) 5954-7661
Fax +81 (3) 5954-7660
ba-asia@bienair.com

Beijing Bien-Air

Medical Instrument
Technology Service Co. Ltd.
Room 907, The Exchange Beijing,
No 118 Jian Guo Lu Yi,
Chao Yang District,
Beijing 100022, China
北京彼岸医疗器械
技术服务有限公司
北京市朝阳区建国路
乙118号招商局中心
京汇大厦2106室

Tel. +86 10 6567 0651
Fax +86 10 6567 8047
ba-beijing@bienair.com