

# NOTICE – Before Using the Lubricare 2

Thank you for purchasing the Lubricare 2, dental handpiece maintenance device.

The Lubricare 2 is designed to maintain dental handpieces. Do not use the Lubricare 2 for purposes other than lubrication and flushing as part of handpiece maintenance.

\* The term "flushing", as used in here shall mean ejecting and removing cutting debris and foreign objects from inside the handpiece.

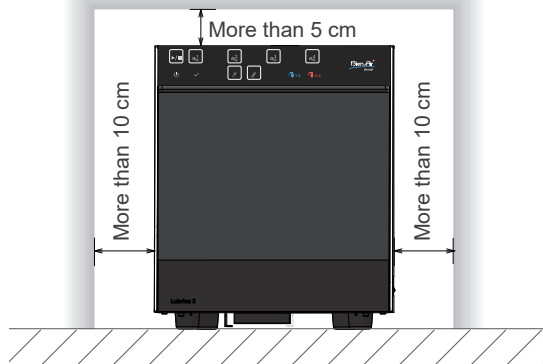
## Main Unit Setup

**Install the main unit with at least the clearance shown below provided around the unit.**

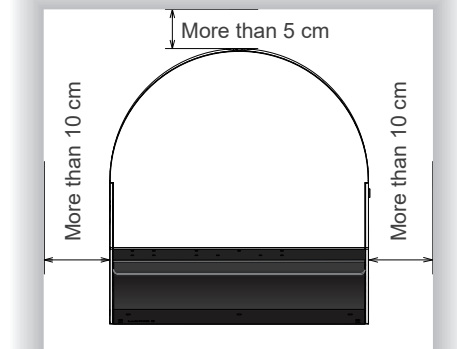
The clearance for both sides are necessary for replacing the spray cans.

Be sure that the power cord and air tube are connected with sufficient margin, and are not put under tension.

### ■ Front View



### ■ Top View



### ⚠ WARNING

- Do not use the device near open flames or any place where it will be subjected to high temperatures. Doing so could cause the spray cans installed to catch fire or explode.
- Install the main unit in a well-ventilated place and ventilate it regularly. Breathing fumes could damage your health.
- Never place the device in a concave or covered place. There is a risk of retaining the flammable gas that is contained in spray cans.

### ⚠ CAUTION

- Place the device on a level and stable surface. Otherwise, there is a risk of tipping over or falling.

